



USBD9101 USBD9101LF
USBD9201 USBD9201LF



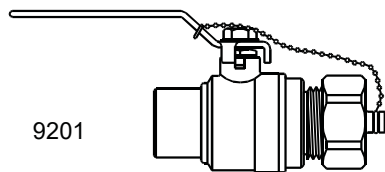
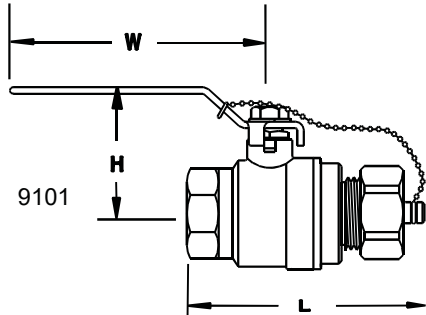
THE BOSTON VALVE Co.

A DIVISION OF BOSTON METAL PRODUCTS, LTD.
25 THURBER BLVD., UNIT #3
SMITHFIELD, RI 02917

TOLL FREE: 1-800-839-0013, TEL: 401-231-8537
FAX: 401-231-8491
WWW.BOSTONVALVE.COM

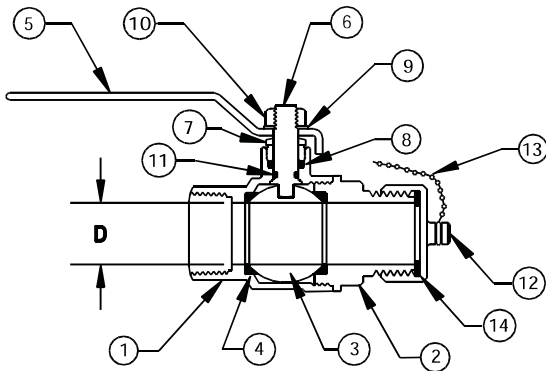
USBD9101, USBD9101LF, USBD9201, USBD9201LF SERIES HOSE THREAD AND CAP

A two piece, full port, forged brass ball valve, with 3/4 national hose thread by female NPT or copper sweat connection. Supplied with chain attached brass cap.



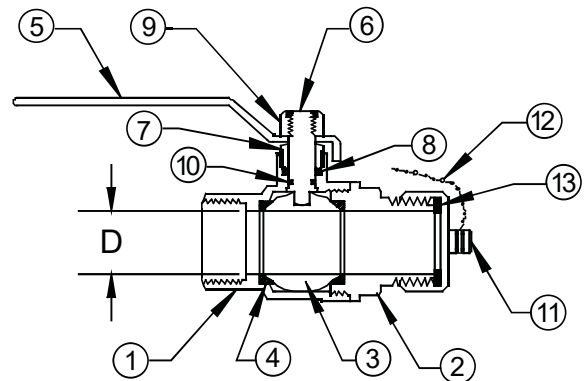
DIMENSIONS

CAT. NO.	CAT. NO.	SIZE	L	D	H	W
USBD0509101	USBD0509101LF	1/2	3.13	.59	1.87	3.65
USBD0759101	USBD0759101LF	3/4	3.41	.75	2.19	4.65
USBD1009101	USBD1009101LF	1	3.67	1.00	2.32	4.65
USBD0509201	USBD0509201LF	1/2	3.06	.59	1.87	3.65
USBD0759201	USBD0759201LF	3/4	3.53	.75	2.19	4.65
USBD1009201	USBD1009201LF	1	3.81	1.00	2.32	4.65



USBD SERIES MATERIALS

NO.	PART NAME	USBD SERIES MATERIALS
14	GASKET	BUNA-N
13	CHAIN	STAINLESS STEEL
12	CAP/ COVER	BRASS
11	O-RING	BUNA-N
10	NUT	ZINC PLATED STEEL
9	LOCK WASHER	ZINC PLATED STEEL
8	STEM PACKING	PTFE
7	GLAND NUT	BRASS
6	STEM	BRASS
5	HANDLE	ZINC PLTD STEEL, PLASTICOATED
4	SEAT	PTFE
3	BALL	BRASS, CHROME PLTD.
2	END PIECE	BRASS
1	BODY	BRASS



USBD LF SERIES MATERIAL

NO.	PART NAME	MATERIAL
13	GASKET	BUNA-N
12	CHAIN	STAINLESS STEEL
11	CAP	BRASS C46400
10	O-RING	BUNA-N
9	NUT	STAINLESS STEEL, NYLON
8	STEM PACKING	PTFE
7	GLAND NUT	BRASS
6	STEM	BRASS
5	HANDLE	STEEL, ZINC PLATED, PLASTICOATED
4	SEAT	PTFE
3	BALL	304 STAINLESS STEEL
2	END CAP	BRASS C46400
1	BODY	BRASS C46400