



COMD1000 COMD1000LF



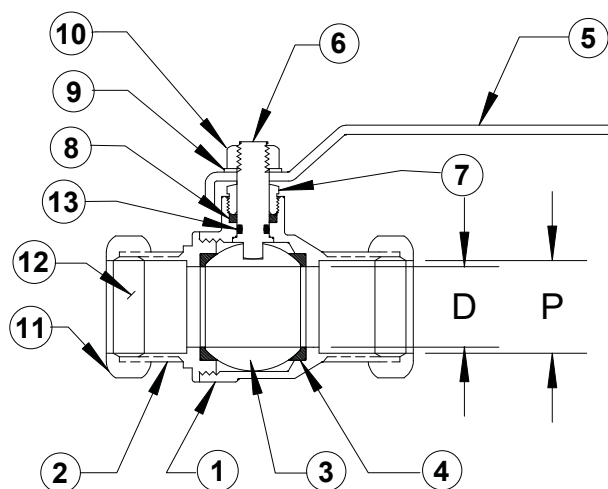
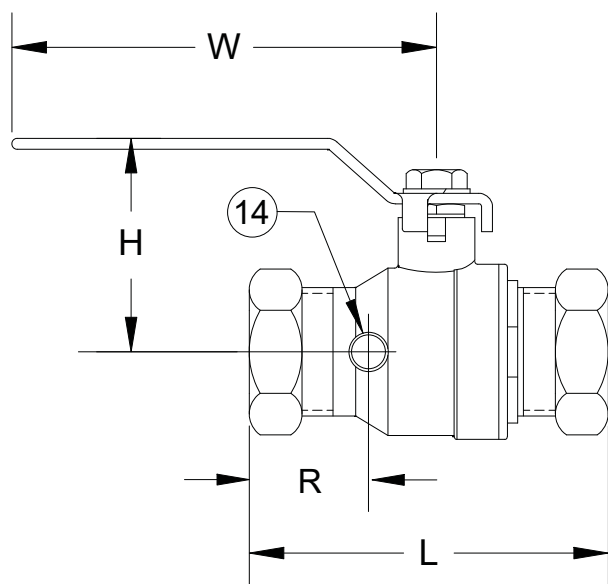
THE BOSTON VALVE Co.

A DIVISION OF BOSTON METAL PRODUCTS, LTD.
25 THURBER BLVD., UNIT #3
SMITHFIELD, RI 02917

TOLL FREE: 1-800-839-0013, TEL: 401-231-8537
FAX: 401-231-8491
WWW.BOSTONVALVE.COM

COMD1000 & COMD1000LF SERIES COMPRESSION VALVE

A high quality stop and waste, full port, forged brass ball valve with compression end connections.



DIMENSIONS

CAT. NO.	CAT. NO.	SIZE	L	D	H	W	P	R
COMD0501000	COMD0501000LF	1/2	2.82	.59	1.77	3.65	.625	.90
COMD0751000	COMD0751000LF	3/4	3.23	.75	2.05	4.65	.875	1.10

MATERIAL LIST

NO.	PART NAME	COMD1000 SERIES MATERIAL	COMD1000LF SERIES MATERIAL
14	DRAIN CAP	BRASS / BUNA-N	BRASS / BUNA-N
13	O-RING	BUNA-N	BUNA-N
12	FERRULE	BRASS	BRASS
11	COMPRESSION NUT	BRASS	BRASS
10	NUT	STEEL, ZINC PLATED	STEEL, ZINC PLATED
9	LOCK WASHER	STEEL, ZINC PLATED	STEEL, ZINC PLATED
8	STEM PACKING	PTFE	PTFE
7	GLAND NUT	BRASS	BRASS
6	STEM	BRASS	BRASS
5	HANDLE	ZINC PLATED STEEL, PLASTICOATED	ZINC PLATED STEEL, PLASTICOATED
4	SEAT	PTFE	PTFE
3	BALL	BRASS, HARD CHROME PLTD.	BRASS, HARD CHROME PLTD.
2	END CAP	BRASS	BRASS
1	BODY	BRASS	BRASS