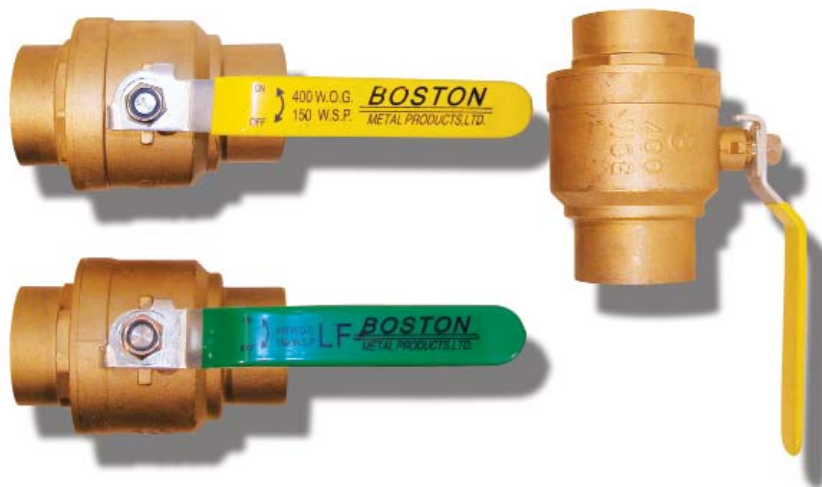




# BSS2201 BSS2201LF



## THE BOSTON VALVE Co.

---

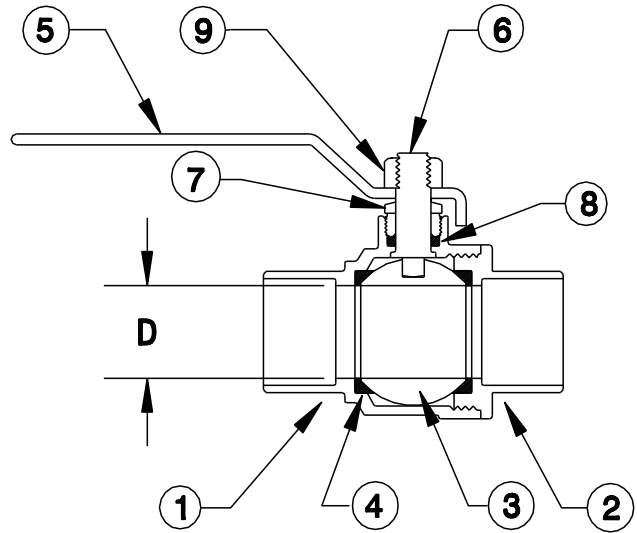
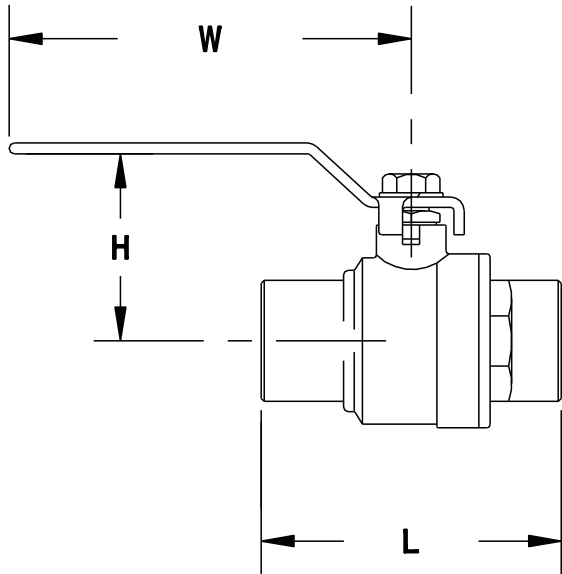
A DIVISION OF BOSTON METAL PRODUCTS, LTD.  
25 THURBER BLVD., UNIT #3  
SMITHFIELD, RI 02917

TOLL FREE: 1-800-839-0013, TEL: 401-231-8537  
FAX: 401-231-8491  
WWW.BOSTONVALVE.COM

# BSS2201 & BSS2201LF SERIES

## LARGE BALL VALVE

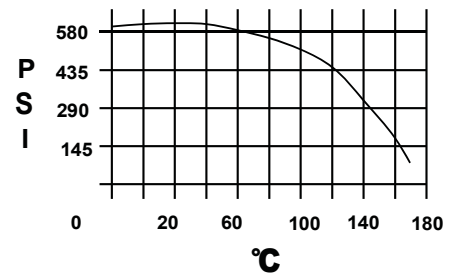
A quarter turn brass valve with solder joint end connections, Valve conforms to WW-V-35, type II, style 3. Rated 400 WOG /150 WSP.



### DIMENSIONS

CAT. NO.	CAT. NO.	SIZE	L	D	H	W
BSS2502201	BSS2502201LF	2 1/2	6.37	2.52	4.65	9.62
BSS3002201	BSS3002201LF	3	7.16	2.95	5.00	9.62
BSS4002201	BSS4002201LF	4	9.22	3.90	5.62	10.5

PRESS. VS. TEMP. CURVE



### MATERIAL LIST

NO.	PART NAME	BSS SERIES MATERIALS	BSSLF SERIES MATERIALS
11	O-RING	BUNA-N	BUNA-N
10	THREAD LOCK	NYLON	NYLON
9	NUT	ZINC PLATED STEEL	STAINLESS STEEL
8	STEM PACKING	PTFE	PTFE
7	GLAND NUT	BRASS	BRASS
6	STEM	BRASS	304 STAINLESS STEEL
5	HANDLE	ZINC PLATED STEEL, PLASTICOATED	CHROME PLT. STEEL, PLASTICOATED
4	SEAT	PTFE	PTFE
3	BALL	BRASS, HARD CHROME PLTD.	304 STAINLESS STEEL
2	END CAP	BRASS	BRASS C46400
1	BODY	BRASS	BRASS C46400