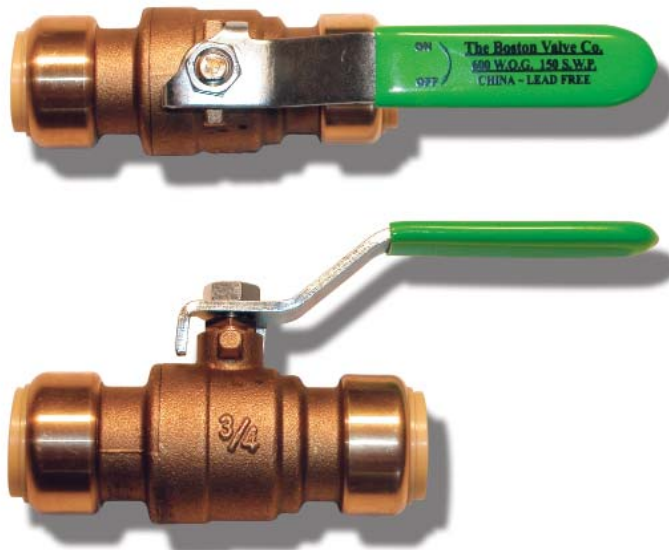




BPF930LF



THE BOSTON VALVE Co.

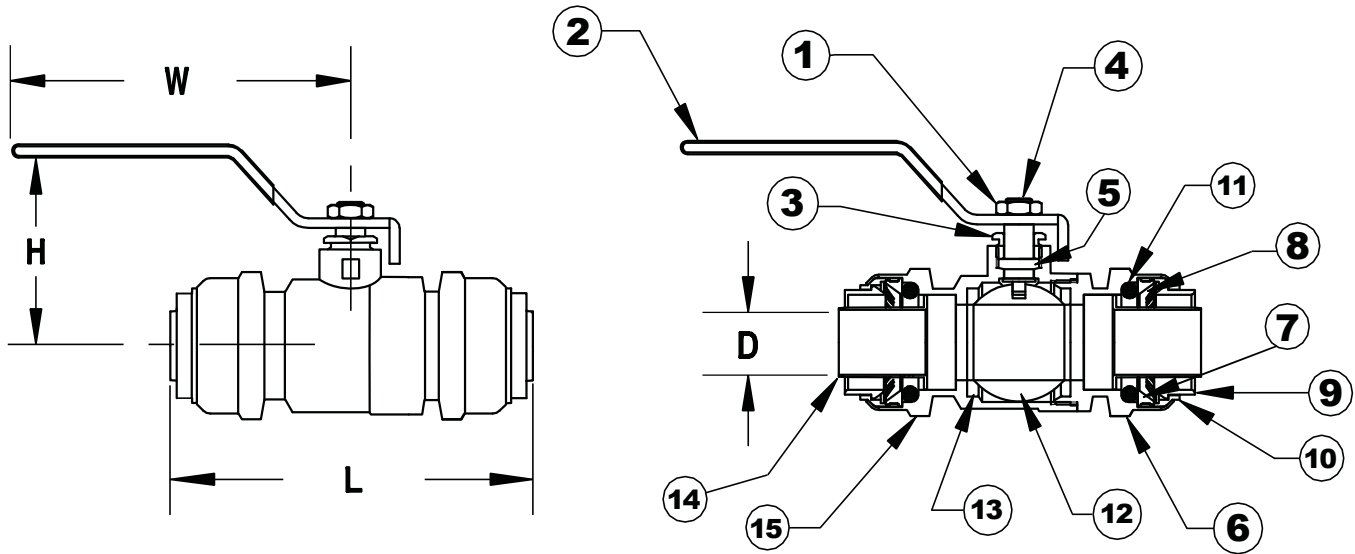
A DIVISION OF BOSTON METAL PRODUCTS, LTD.
25 THURBER BLVD., UNIT #3
SMITHFIELD, RI 02917

TOLL FREE: 1-800-839-0013, TEL: 401-231-8537
FAX: 401-231-8491
WWW.BOSTONVALVE.COM

BPF930LF SERIES

PUSH FIT BALL VALVE

A full port, push fitting, forged brass ball valve that connects to copper, CPVC or Pex piping. Ideal for plumbing, water and hydronic heating systems. In accordance with ASTM F-876 & F-877, ASTM D2846/2846M and ASTM B88.



DIMENSIONS

CAT. NO.	SIZE	L	D	H	W
BPF050930LF	1/2	2.97	.62	1.69	3.52
BPF075930LF	3/4	3.44	.86	1.88	4.40
BPF100930LF	1	4.17	1.12	2.24	4.40

MATERIAL LIST

NO.	PART NAME	MATERIALS
15	BODY	BRASS C46500
14	INSERT	POM
13	SEAL RING	PTFE
12	BALL	BRASS, CHROME PLTD.
11	O-RING	BRASS
10	HOUSING	POM
9	RING	POM
8	SPRING	STAINLESS STEEL 316L
7	CAP	POM
6	BONNET	BRASS C46500
5	PACKING	PTFE
4	STEM	BRASS C46500
3	HEX NUT	BRASS HPb59-1
2	HANDLE	ZINK PLATED STEEL, PLASCICOATED
1	LEVER NUT	ZINK PLATED STEEL