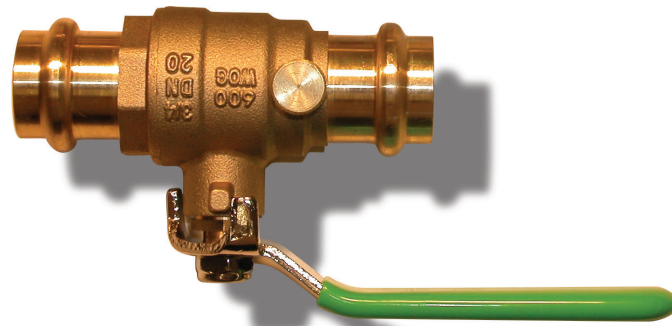
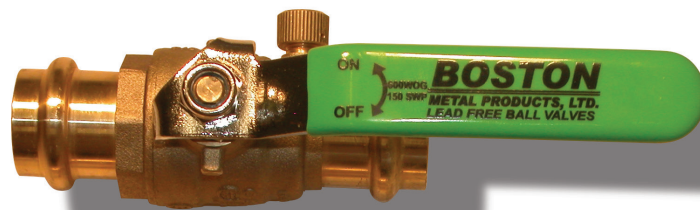




# **BPD537LF**



## **THE BOSTON VALVE Co.**

---

**A DIVISION OF BOSTON METAL PRODUCTS, LTD.**

**25 THURBER BLVD., UNIT #3  
SMITHFIELD, RI 02917**

**TOLL FREE: 1-800-839-0013, TEL: 401-231-8537**

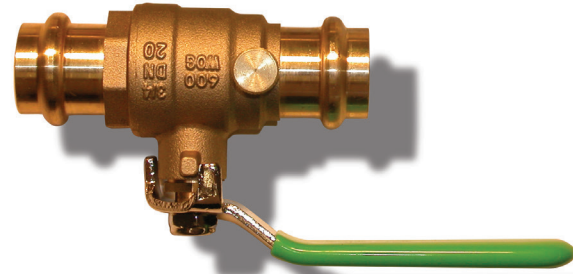
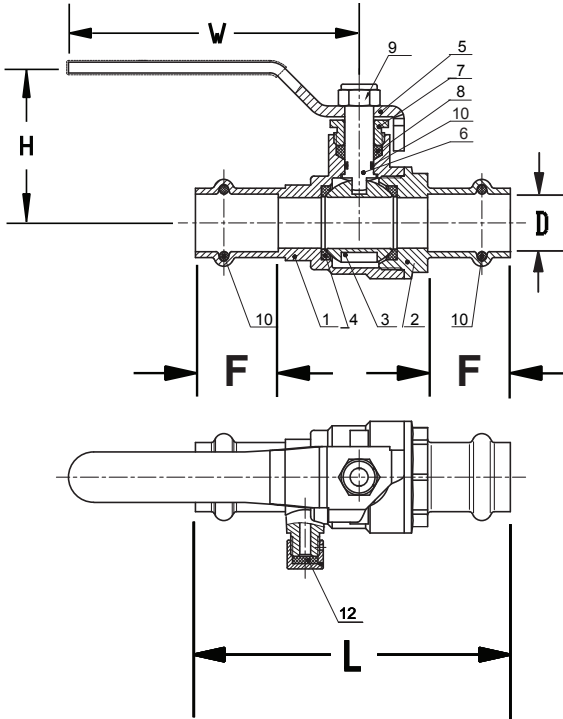
**FAX: 401-231-8491**

**WWW.BOSTONVALVE.COM**

# **BPD537LF SERIES**

## **FORGED LEAD FREE BRASS BALL VALVE WITH DRAIN**

A full port, quarter turn ball valve with drain.  
 Ready for cold press installation. no fitting required.  
 no welding, soldering or brazing required. Sizes 1/2", 3/4" and 1".



### **DIMENSIONS**

CAT. NO.	SIZE	L	D	H	W	F
<b>BPD050537LF</b>	<b>1/2</b>	<b>0.00</b>	<b>0.00</b>	<b>0.00</b>	<b>0.00</b>	<b>0.00</b>
<b>BPD075537LF</b>	<b>3/4</b>	<b>0.00</b>	<b>0.00</b>	<b>0.00</b>	<b>0.00</b>	<b>0.00</b>
<b>BPD100537LF</b>	<b>1</b>	<b>0.00</b>	<b>0.00</b>	<b>0.00</b>	<b>0.00</b>	<b>0.00</b>

### **MATERIAL LIST**

NO.	PART NAME	MATERIAL
<b>11</b>	<b>DRAIN CAP</b>	<b>BRASS</b>
<b>10</b>	<b>O-RING</b>	<b>EPDM</b>
<b>9</b>	<b>LOCK NUT</b>	<b>304 SST</b>
<b>8</b>	<b>STEM PACKING</b>	<b>PTFE</b>
<b>7</b>	<b>GLAND NUT</b>	<b>BRASS, HPb59-3</b>
<b>6</b>	<b>STEM</b>	<b>BRASS, HPb59-3</b>
<b>5</b>	<b>HANDLE</b>	<b>ZINC PLATED STEEL, PLASTICOATED</b>
<b>4</b>	<b>SEAT</b>	<b>PTFE</b>
<b>3</b>	<b>BALL</b>	<b>304 SST</b>
<b>2</b>	<b>END CAP</b>	<b>FORGED BRASS, C46500</b>
<b>1</b>	<b>BODY</b>	<b>FORGED BRASS, C46500</b>

