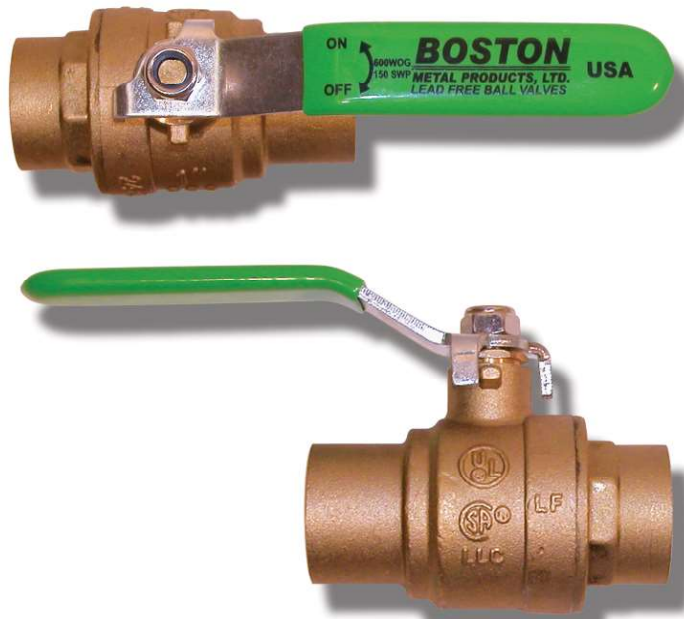




BLF9201



THE BOSTON VALVE Co.

A DIVISION OF BOSTON METAL PRODUCTS, LTD.

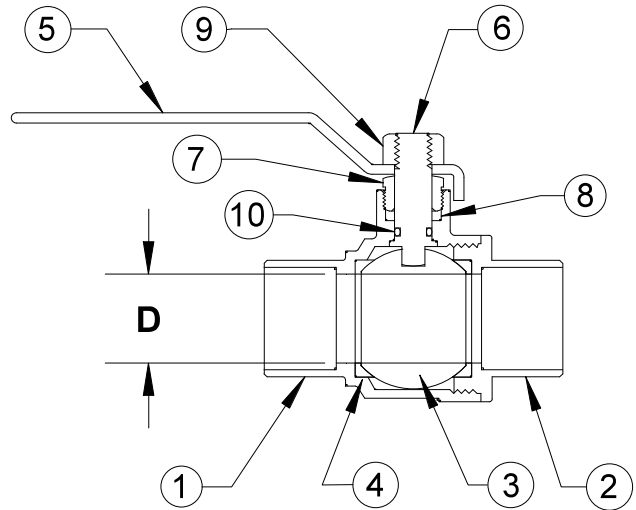
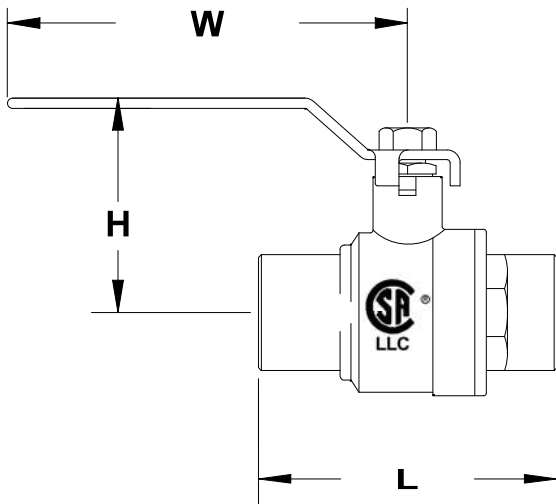
25 THURBER BLVD., UNIT #3
SMITHFIELD, RI 02917

TOLL FREE: 1-800-839-0013, TEL: 401-231-8537
FAX: 401-231-8491

WWW.BOSTONVALVE.COM

BLF9201 SERIES LEAD FREE FORGED BRASS BALL VALVE

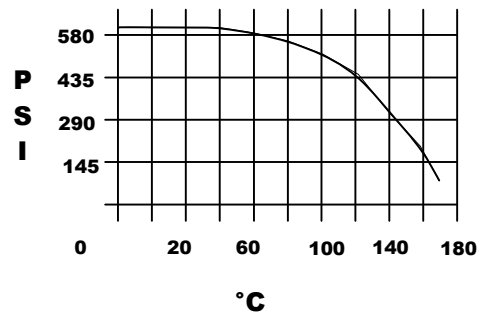
Assembled from domestic and foreign parts. A forged brass quarter turn valve, rated 600 WOG, two piece, full port, with solder joint end connections. Valve conforms to and is CSA certified to ASME A112.18.1.



DIMENSIONS

CAT. NO.	SIZE	L	D	H	W
BLF0509201	1/2	2.17	.59	1.77	3.35
BLF0759201	3/4	2.82	.75	2.05	4.35
BLF1009201	1	3.28	1.00	2.20	4.35
BLF1259201	1 1/4	4.06	1.25	2.50	5.65
BLF1509201	1 1/2	4.32	1.57	2.70	5.65
BLF2009201	2	5.45	1.97	3.23	5.65

PRESS. VS. TEMP. CURVE



MATERIAL LIST

NO.	PART NAME	BLF SERIES
10	O-RING	VITON
9	NUT	ZINC PLATED STEEL
8	STEM PACKING	PTFE
7	GLAND NUT	BRASS C37700
6	STEM	TYPE 304 SST
5	HANDLE	ZINC PLTD STEEL, PLASTICOATED
4	SEAT	PTFE
3	BALL	TYPE 304 SST
2	END CAP	BRASS C46400
1	BODY	BRASS C46400

BOSTON METAL PRODUCTS, LTD. - 25 THURBER BLVD., UNIT #3 - SMITHFIELD, RI 02917
TOLL FREE: 1-800-839-0013, TEL: 401-231-8537, FAX: 401-231-8491
WWW.BOSTONVALVE.COM